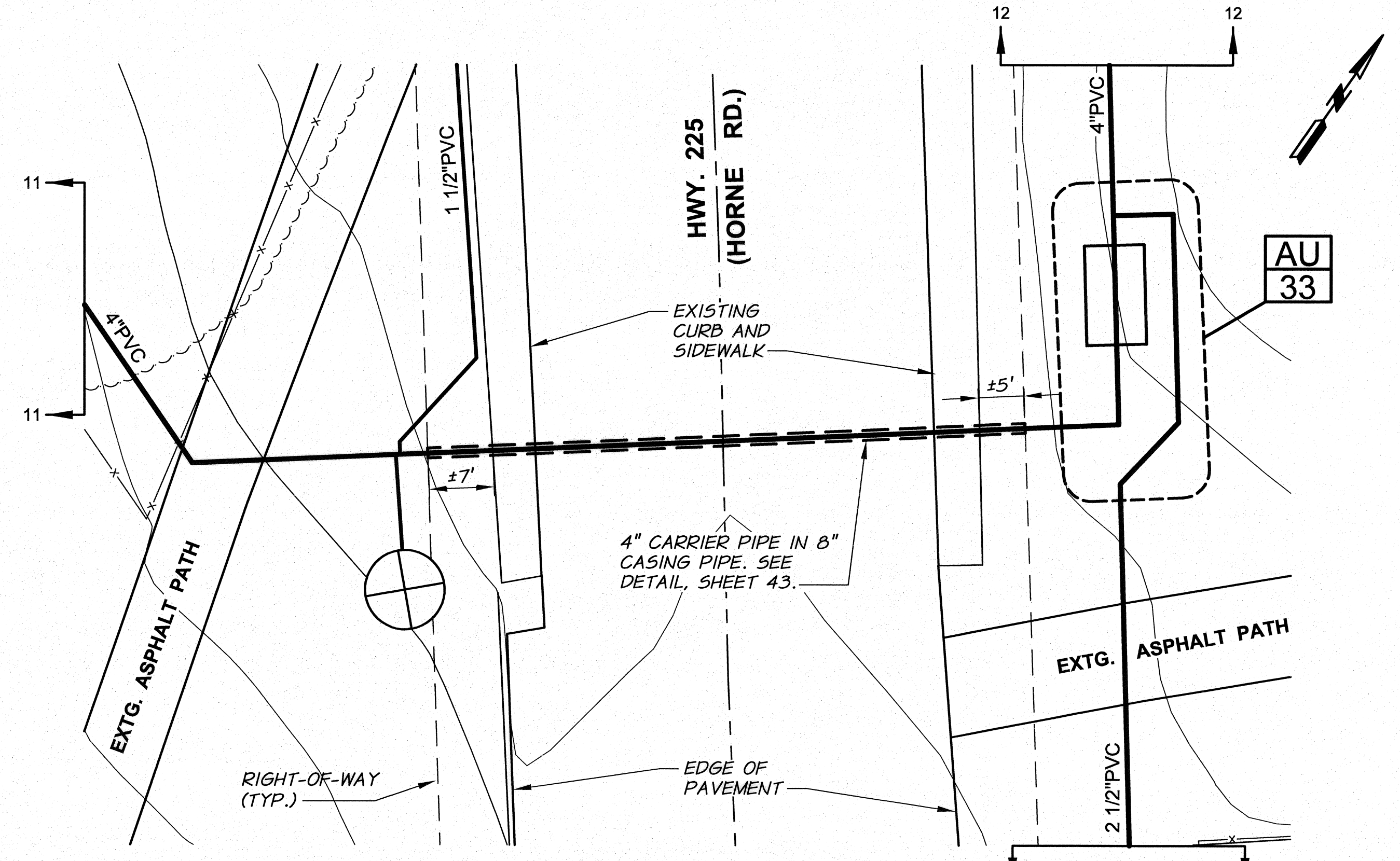
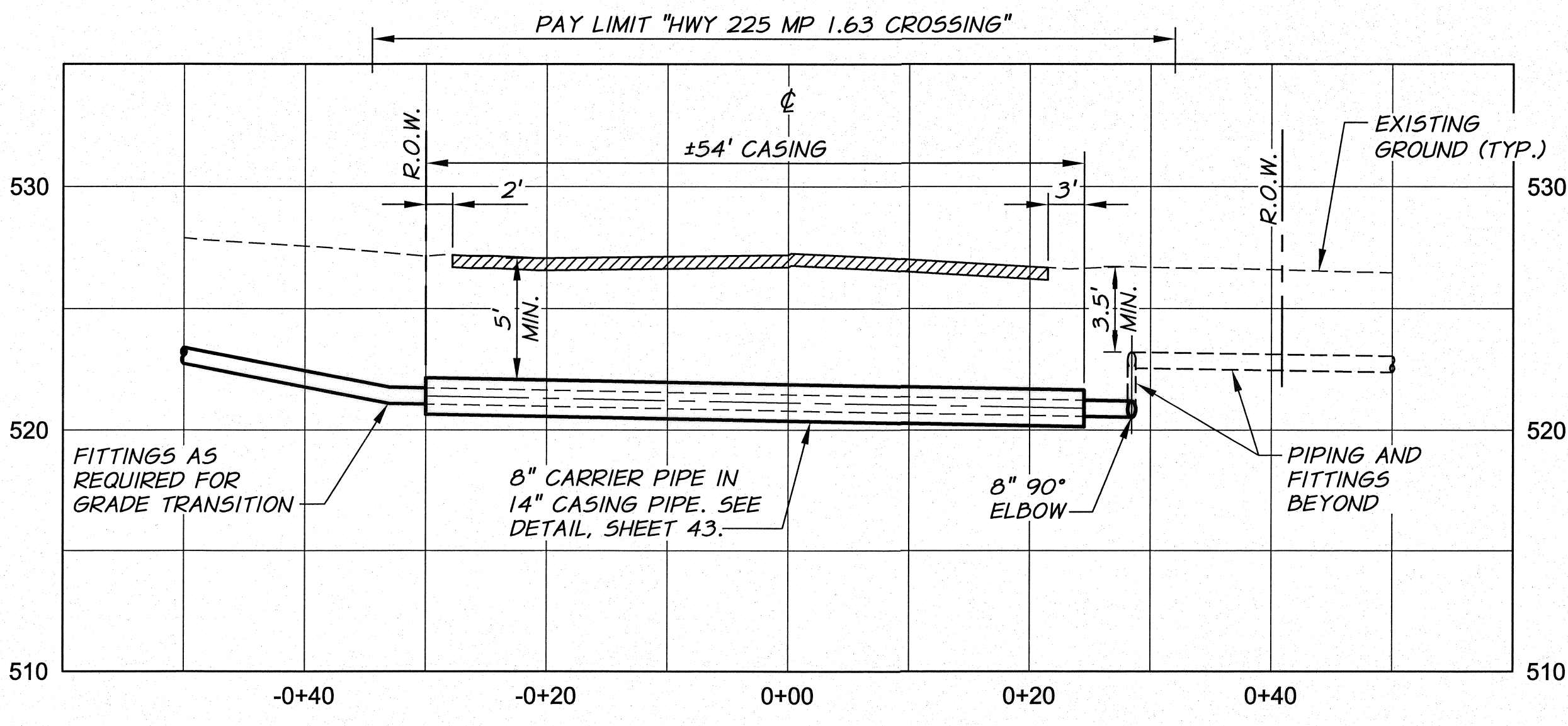


PLAN



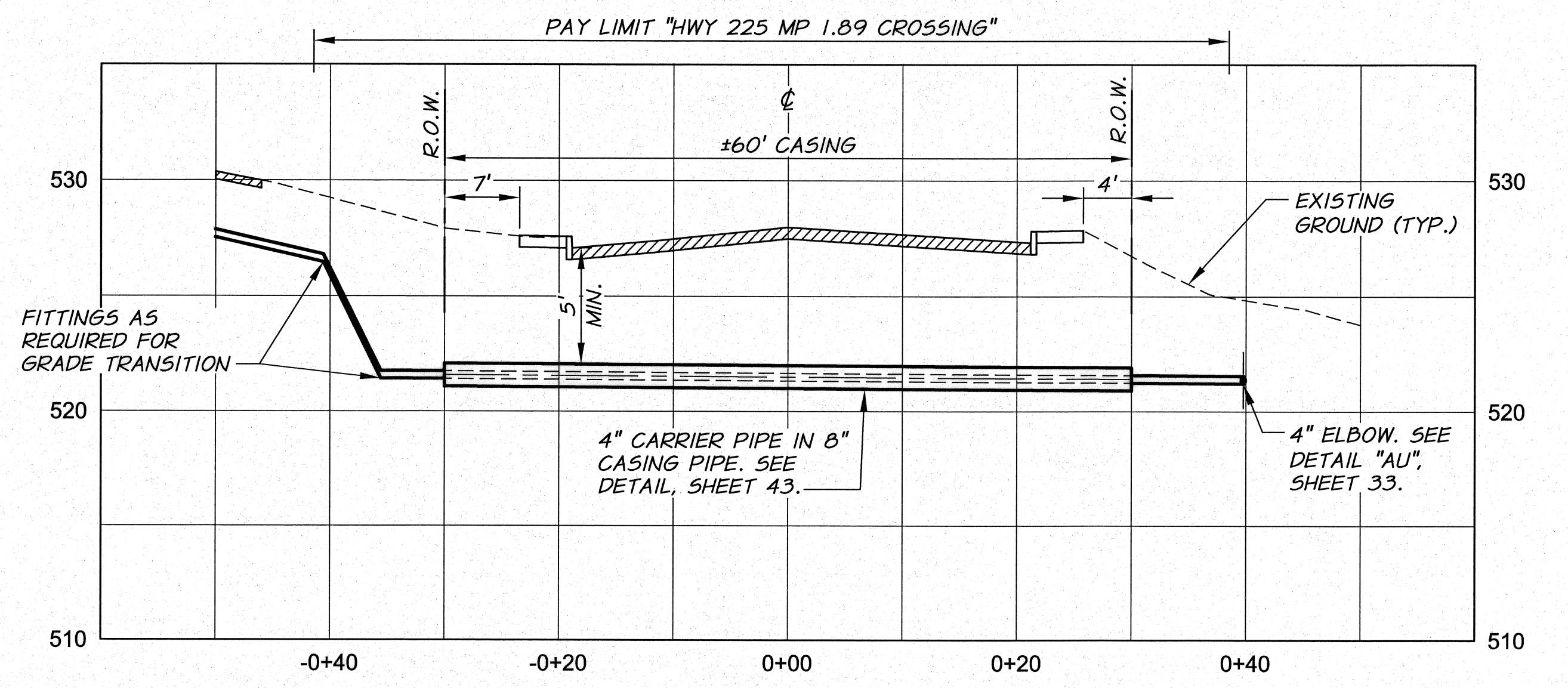
PLAN

NOTE:
SURFACE RESTORATION
TO BE INCLUDED IN
CROSSING PAY LIMIT.



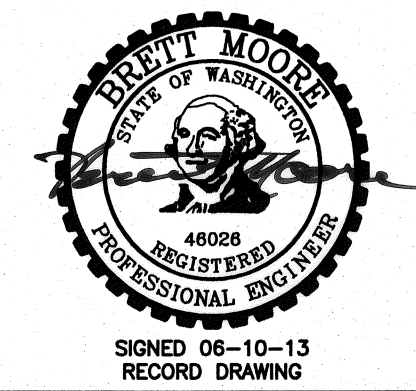
SECTION

HWY 225 (9TH ST.) MP 1.63 CROSSING DETAIL
AT FAY AVE. (REF: SHEET 10)
1"=10' HORIZ.
1"=5' VERT.



SECTION

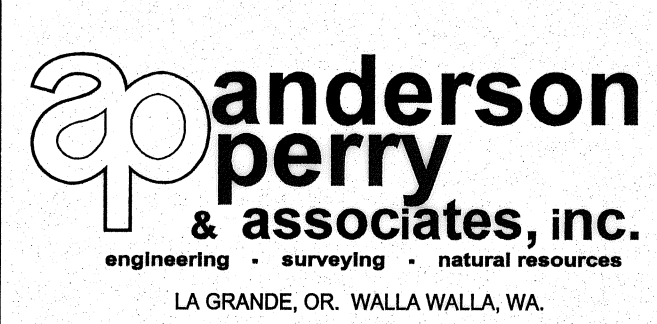
HWY. 225 (HORNE DR.) MP 1.89 CROSSING DETAIL
NORTH OF GRACE AVE. (REF: SHEET 11)
1"=10' HORIZ.
1"=5' VERT.



DESIGNED BY	M. OWENS	BY		DATE	
DRAWN BY	D. CHRISTMAN				
REVIEWED BY	B. MOORE				

HORIZ. SCALE	1"=10'	VERT. SCALE	1"=5'
JOB NUMBER	1199-336	DATE	2012
ACAD FILE	HighwayXings.dwg		
COPYRIGHT 2012 BY ANDERSON-PERRY & ASSOC., INC.			

RECORD DRAWINGS
JUNE 10, 2013
These record drawings have been prepared, in part, on the basis of information compiled and furnished by others. They may contain some discrepancies and omissions, and do not necessarily represent "exact" field conditions. The Owner and the Engineer accept no responsibility for their accuracy.

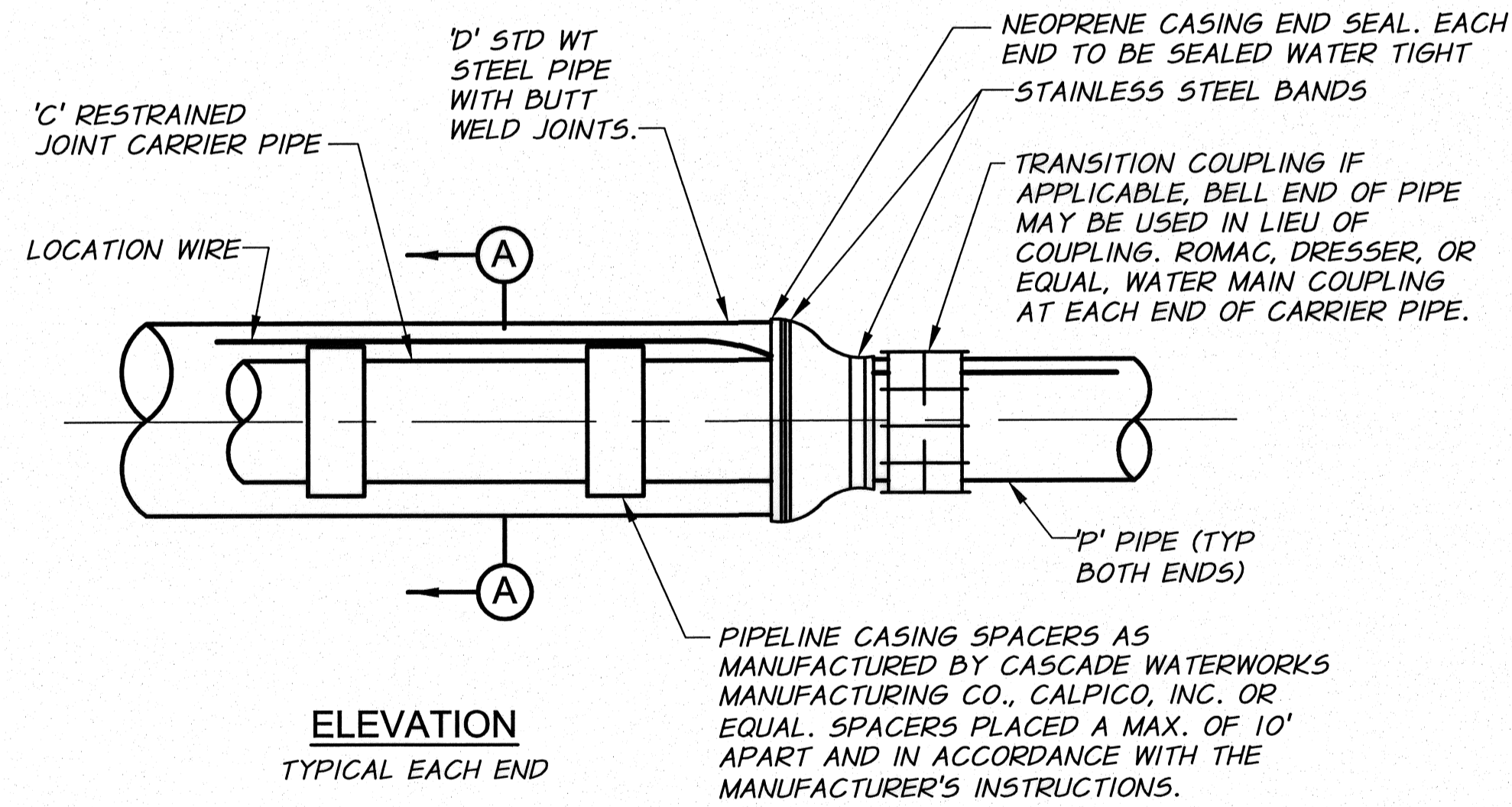
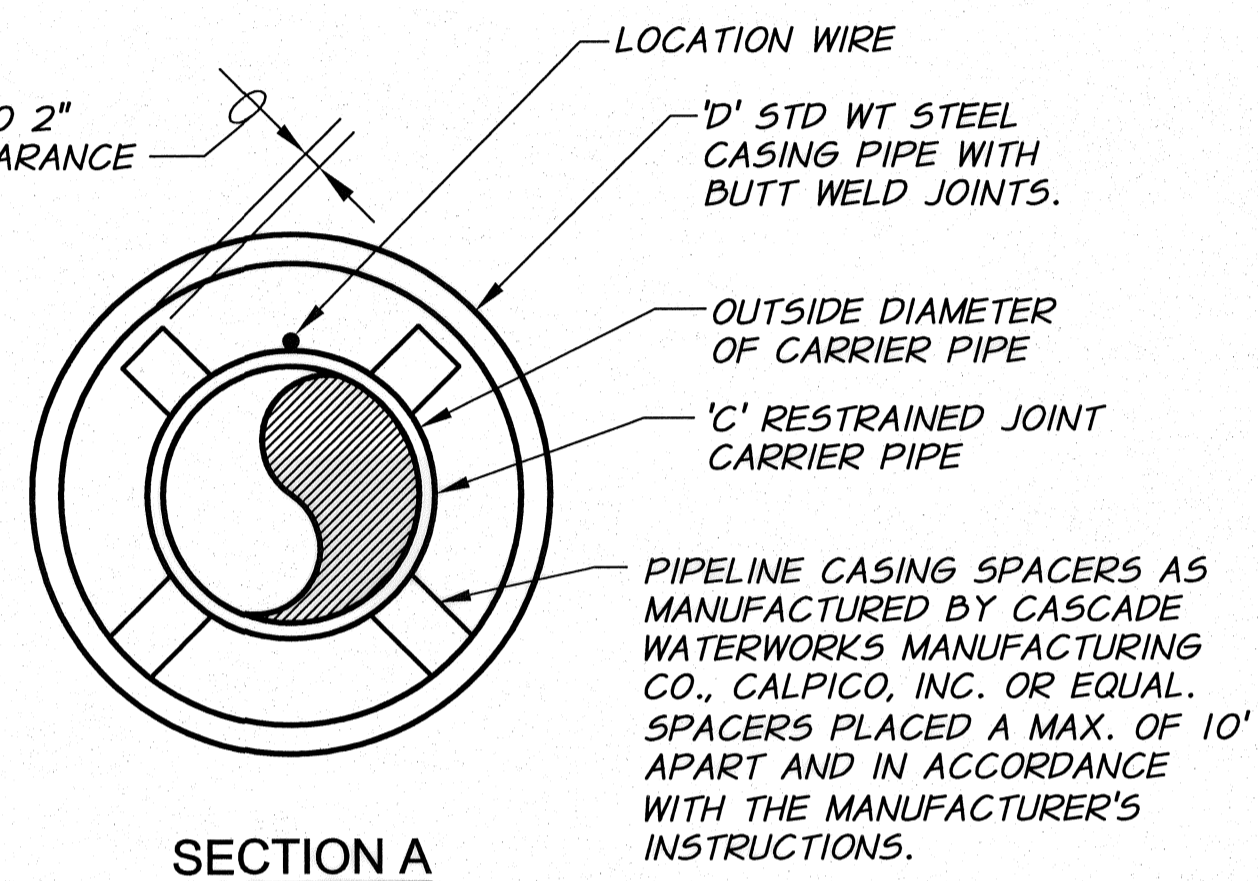


BENTON IRRIGATION DISTRICT
IRRIGATION SYSTEM IMPROVEMENTS
PHASE 3B
HIGHWAY CROSSING DETAILS I

CROSSING LOCATION	CARRIER PIPE 'C'	CASING PIPE SIZE 'D' X APPROX. LENGTH	IRRIGATION PIPE SIZE 'P'
MP 1.19 (CHRIS AVE.)	2 1/2" SCH 40 SOLVENT WELD PVC	6" X 46 FT.	2 1/2"
MP 1.63 (FAY AVE.)	8" R.J. PVC	14" X 54 FT.	8"
MP 1.89 (GRACE AVE.)	4" R.J. PVC	8" X 60 FT.	4"

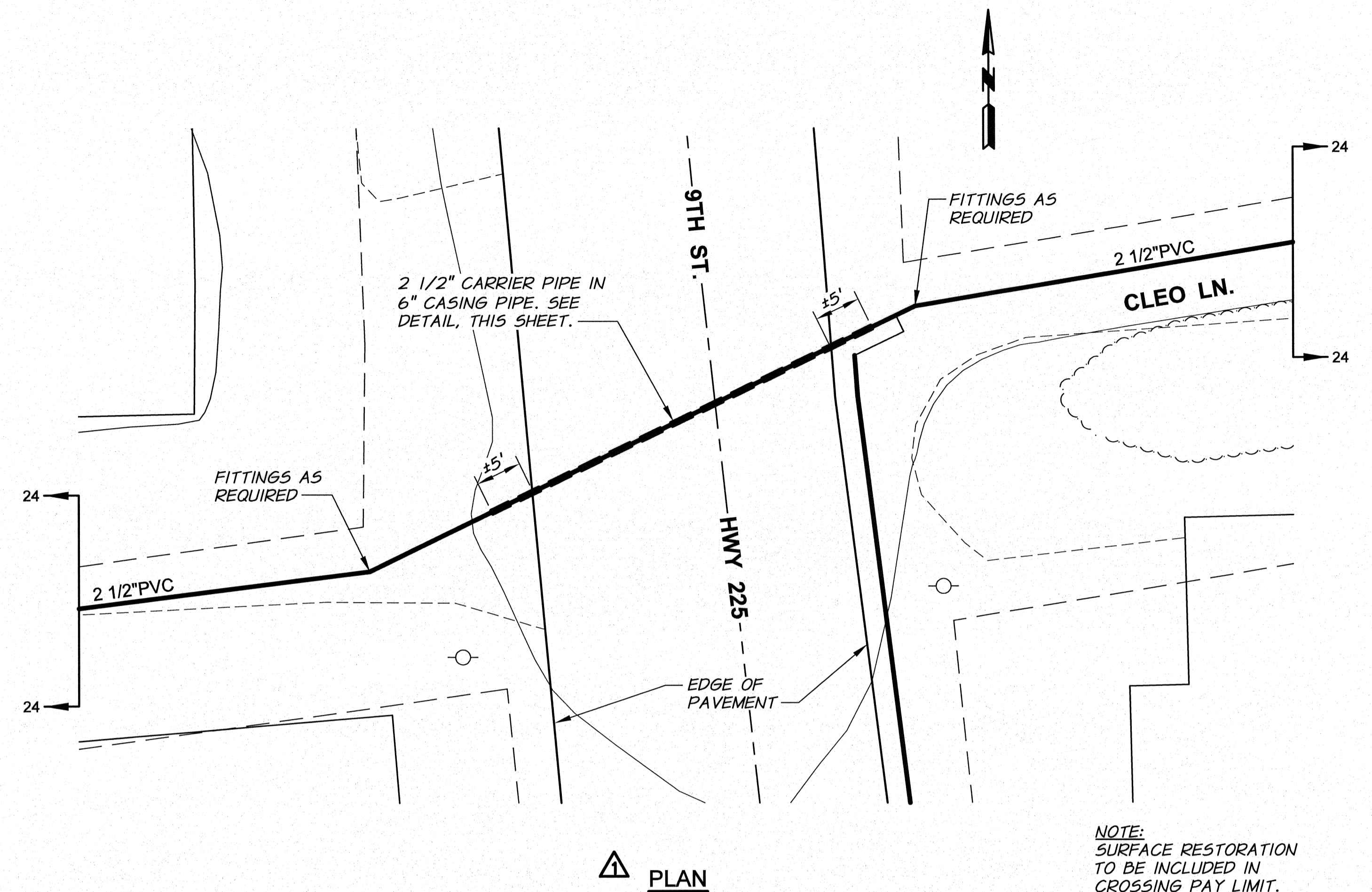
NOTES:

- R.J. PVC SHALL BE EAGLE LOC 900 C-900, ASTM 1784 DR18 CLASS 235 PIPE OR EQUAL.
- STD WT STEEL PIPE CASING SHALL HAVE A MINIMUM WALL THICKNESS OF 0.280" FOR 6" CASING, 0.322" FOR 8" CASING, AND 0.375" FOR 14" CASING.
- CASING PIPE SHALL BE SEALED WATERTIGHT AT BOTH ENDS.

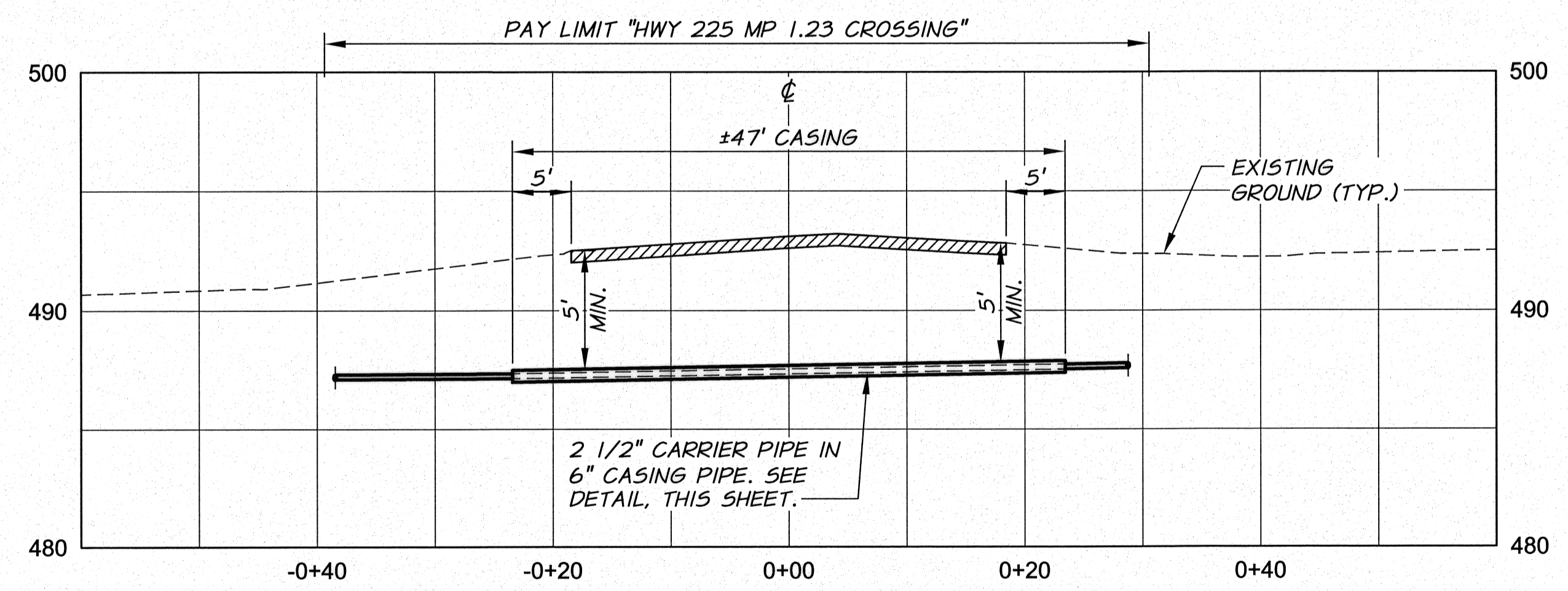


**CASING DETAIL
HIGHWAY CROSSINGS**

N.T.S.



NOTE:
SURFACE RESTORATION
TO BE INCLUDED IN
CROSSING PAY LIMIT.

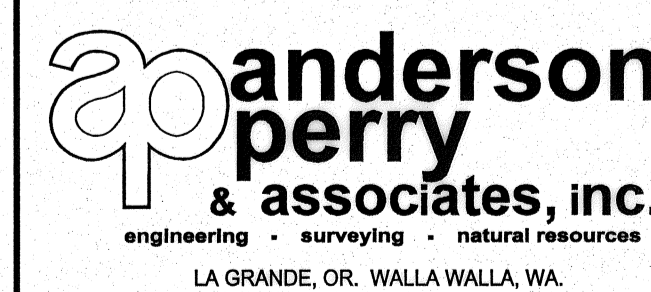


SECTION
HWY 225 (9TH ST.) MP 1.23 CROSSING DETAIL
AT CLEO LANE (REF: SHEET 24)
1"=10' HORIZ.
1"=5' VERT.



REVISION		BY	DATE	HORIZ. SCALE 1"=10'	VERT. SCALE 1"=5'
RE-ROUTE MAIN LINE ALIGNMENT		B.M.	8/12	JOB NUMBER 1199-336	DATE 2012
DESIGNED BY	M. OWENS	ACAD FILE:	HighwayXings.dwg	COPYRIGHT 2012 BY ANDERSON-PERRY & ASSOC., INC.	
DRAWN BY	D. CHRISTMAN				
REVIEWED BY	B. MOORE				

RECORD DRAWINGS
JUNE 10, 2013
These record drawings have been prepared, in part, on the basis of information compiled and furnished by others. They may contain some discrepancies and omissions, and do not necessarily represent "exact" field conditions. The Owner and the Engineer accept no responsibility for their accuracy.



BENTON IRRIGATION DISTRICT
IRRIGATION SYSTEM IMPROVEMENTS
PHASE 3B
HIGHWAY CROSSING DETAILS II

SHEET
43
REVISED